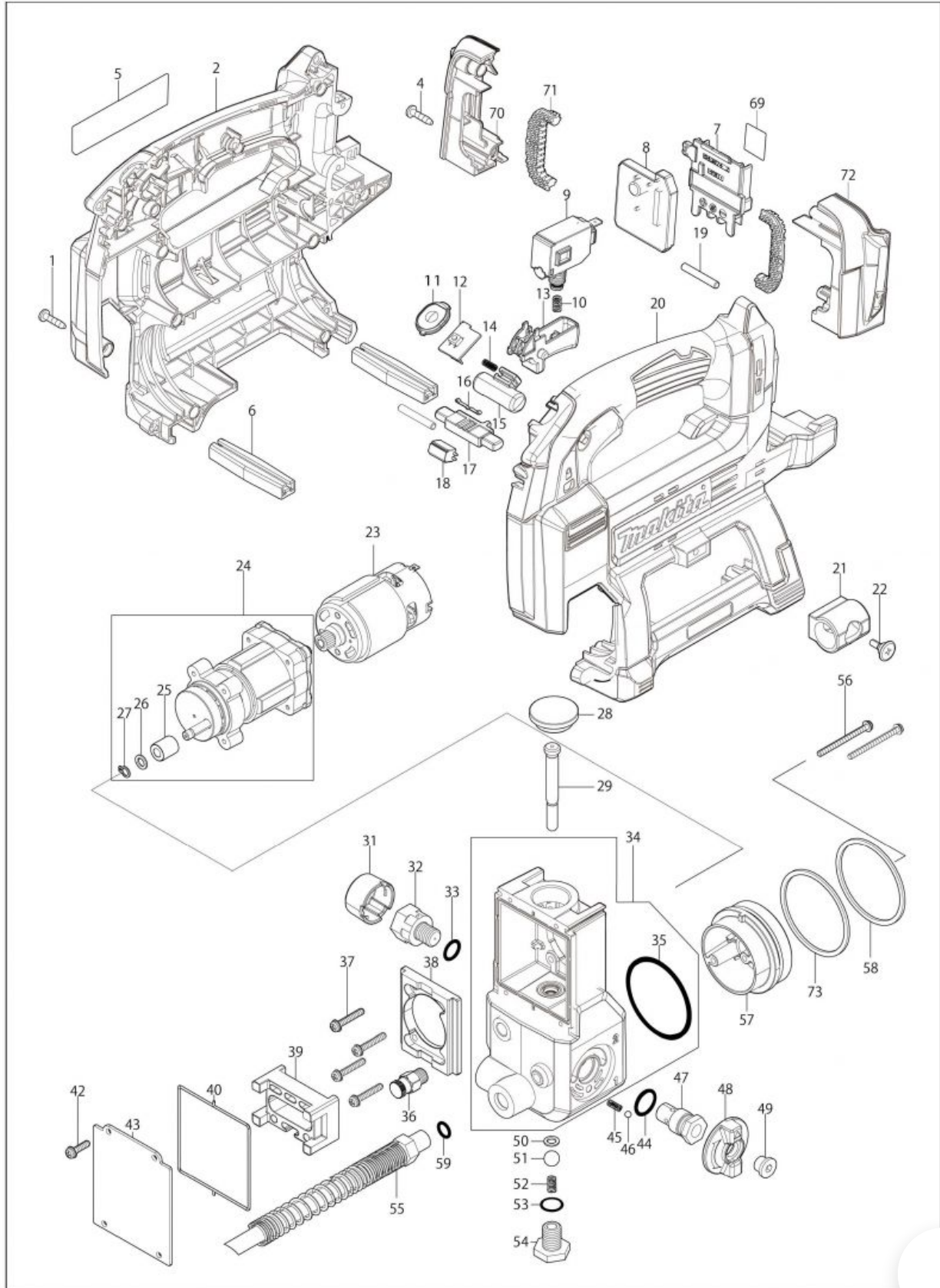
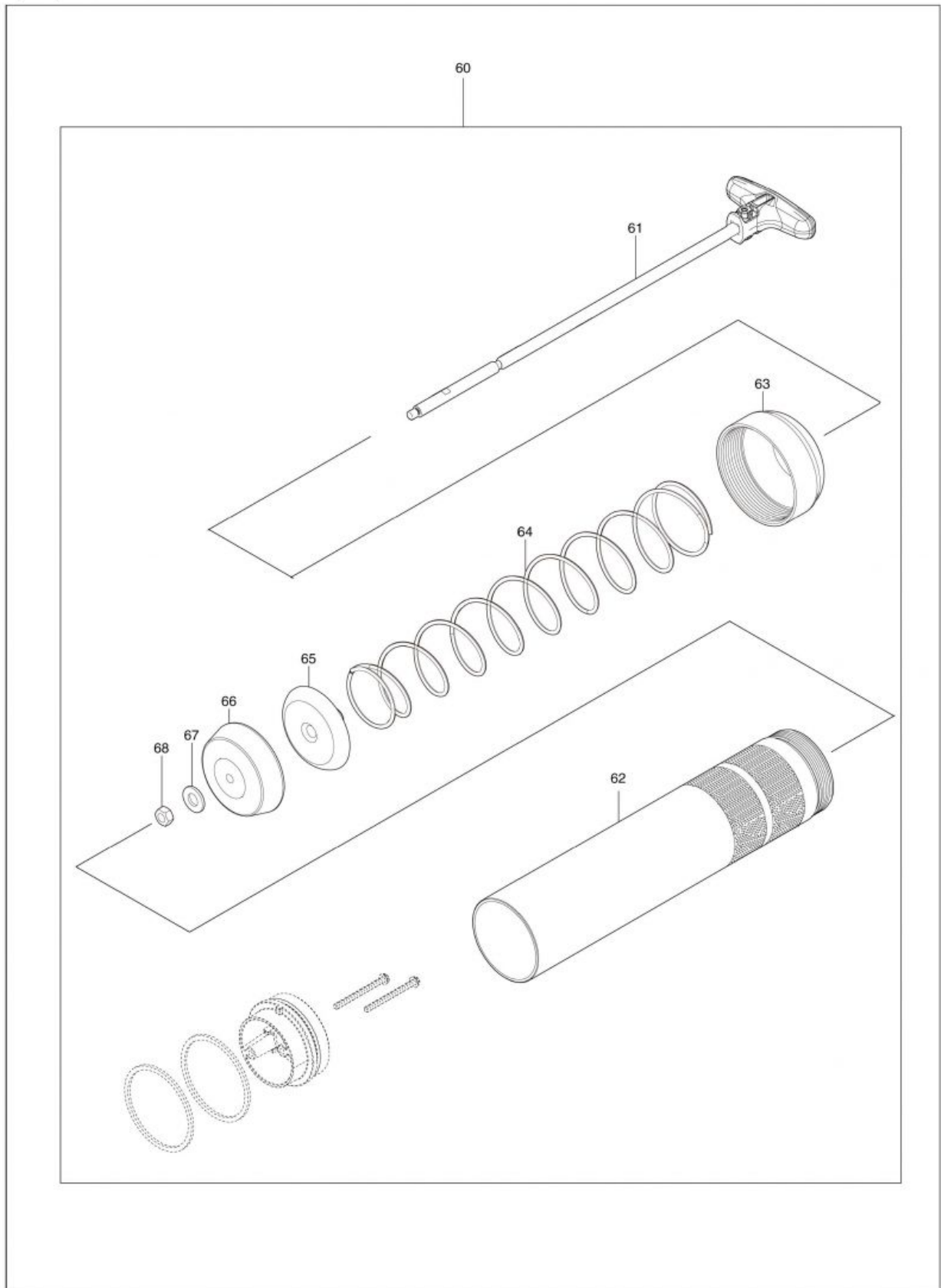


# Part Diagram

(MY) DGP180 / CORDLESS GREASE GUN



(MY) DGP180 / CORDLESS GREASE GUN



Item	Sub	Parts No.	Parts Description	Qty
001A		265995-6	TAPPING SCREW 4X18	12
001C		265995-6	TAPPING SCREW 4X18	13
001D		265995-6	TAPPING SCREW 4X18	13
002		183R38-9	HOUSING SET	1
	C10	263002-9	RUBBER PIN 4	2
	C20	252126-6	HEX. LOCK NUT M4-7	2
	D10		INC. 20	
003C		459621-9	BARREL HOLDER	1
003D		459621-9	BARREL HOLDER	1
004		265995-6	TAPPING SCREW 4X18	2
005		856C52-5	DGP180 NAME PLATE	1
006		422479-9	FOOT	2
007		644809-6	TERMINAL	1
008		620A91-7	CONTROLLER	1
009		651391-8	SWITCH C3JW-6BM-PN	1
010		233306-3	COMPRESSION SPRING 4	1
011		140M75-6	SWITCH PLATE COMPLETE	1
	C10	819V26-1	SWITCH LABEL	1
012		620A89-4	SWITCH CIRCUIT	1
013		459623-5	SWITCH LEVER	1
014		231433-0	COMPRESSION SPRING 4	1
015		419705-5	LOCK ON BUTTON	1
016		232201-4	LEAF SPRING	1
017		459624-3	LOCK OFF BUTTON	1
018		620A90-9	LED CIRCUIT	1
019		268306-4	PIN 5	2
020		183R38-9	HOUSING SET	1
	C10	263002-9	RUBBER PIN 4	2
	C20	252126-6	HEX. LOCK NUT M4-7	2
	D10		INC. 2	
021		422643-2	HOSE HOLDER	1
022		265B56-4	+FLAT HEAD SCREW M4X14	1
023		629386-9	DC MOTOR	1
024		136124-7	GEAR ASSEMBLY	1
	D10		INC. 25-27	
025		214079-7	PLANE BEARING 6	1
026		253477-0	FLAT WASHER 6	1
027		961002-0	RETAINING RING S-6	1
027-1		961022-4	RETAINING RING (EXT) ROUND S-6	1
028		286043-8	CAP 32	1
029		256951-7	SHOULDER PIN 7-8	1
031		459622-7	VALVE COVER	1
032		140M83-7	RELIEF VALVE COMPLETE	1
033		213918-8	O-RING 12.5	1
034		136128-9	PUMP HOUSING ASSY	1
	C10	265A55-0	H.S.SET SCREW(FLAT POINT)NPT1/	1
	C11	265A55-0	H.S.SET SCREW(FLAT POINT)NPT1/	1
	D10		INC. 35	
034-1		136128-9	PUMP HOUSING ASSY	1
	C11	265A55-0	H.S.SET SCREW(FLAT POINT)NPT1/	1
	D10		INC. 35	
035		422476-5	RUBBER PACKING A	1
036		162667-3	DRAIN VALVE	1
036-1		162667-3	DRAIN VALVE	1
036-2		162B92-0	DRAIN VALVE	1
037		911148-2	PAN HEAD SCREW M4X25	1
038		310961-9	SLIDER GUIDE	1
039		310960-1	SLIDER	1

Item	Sub	Parts No.	Parts Description	Qty
040		422480-4	SEAL RING	1
042		911128-8	P.H.SCREW M4X16 WITH WR	4
043		347546-8	PUMP COVER	1
044		213182-1	O RING 14	1
045		233151-6	COMPRESSION SPRING 4	1
046		216008-6	STEEL BALL 4	1
047		140M82-9	CHANGE VALVE COMPLETE	1
048		459620-1	THUMB	1
049		265A57-6	HEX. SOCKET HEAD BOLT M10X7	1
050		257494-2	RING 8	1
051		216003-6	STEEL BALL 10	1
052		232557-5	COMPRESSION SPRING 4	1
053		213918-8	O-RING 12.5	1
054		265A56-8	HEX BOLT M12X16	1
055		191A79-9	FLEXIBLE HOSE 1200 SET	1
	C10	162662-3	ADAPTER	1
055-1		191W58-9	FLEXIBLE HOSE 1200 SET	1
	C10	191W61-0	ADAPTER SET (1PCS)	1
056A		911178-3	PAN HEAD SCREW M4X50	2
057A		319844-0	JOINT A	1
058A		422477-3	RUBBER PACKING B	1
058-1A		213A00-9	O-RING 60	1
059		213054-0	O RING 9	1
060A		191A81-2	BARREL ASSEMBLY B SET	1
060C		191B12-7	BARREL ASSEMBLY A SET	1
060D		191B12-7	BARREL ASSEMBLY A SET	1
	D10		INC. 61-68	
060-1A		122D17-8	BARREL ASSEMBLY B	1
	C10	413K06-9	FRONT PLATE B	1
060-1C		122D16-0	BARREL ASSEMBLY A	1
	C10	413K05-1	FRONT PLATE A	1
060-1D		122D16-0	BARREL ASSEMBLY A	1
	C10	413K05-1	FRONT PLATE A	1
	D10		INC. 61-68	
061		140T28-7	SHAFT COMPLETE	1
	C10	459619-6	LEVER	1
	C20	951116-3	SPRING PIN 4-20	1
062A		327380-2	BARREL B	1
062C		327379-7	BARREL A	1
062D		327379-7	BARREL A	1
062-1A		327A56-7	BARREL B	1
063A		347545-0	CAP B	1
063C		347543-4	CAP A	1
063D		347543-4	CAP A	1
064		232684-8	CONICAL SPRING	1
064-1		232775-5	CONICAL SPRING	1
065A		413460-1	PLATE B	1
065C		413459-6	PLATE A	1
065D		413459-6	PLATE A	1
066A		422686-4	RUBBER SEAL B	1
066C		422685-6	RUBBER SEAL A	1
066D		422685-6	RUBBER SEAL A	1
067A		941201-0	FLAT WASHER 8	1
067C		253494-0	FLAT WASHER 8	1
067D		253494-0	FLAT WASHER 8	1
067-1C		941201-0	FLAT WASHER 8	1
067-1D		941201-0	FLAT WASHER 8	1
068		931302-2	HEX. NUT M6	1
069		856C61-4	DGP180 SERIAL NO. LABEL	1

Item	Sub	Parts No.	Parts Description	Qty
070		187303-0	BATTERY HOUSING SET	1
	D10		INC. 72	
071		424473-7	CUSHION RUBBER	2
072		187303-0	BATTERY HOUSING SET	1
	D10		INC. 70	
073A		422667-8	CARTRIDGE PACKING	1
A01		166094-6	SHOULDER BELT	1
A02D		821840-1	PLASTIC CARRYING CASE	1
	C10	162271-8	LATCH	2
A03D		***DC18RC	DC18RC FAST CHARGER	1
	D10		COMPO-PARTS	
A04D		197280-8	BATTERY BL1850B SET	1